



**RIDI**  
Skápalampar

Skápalampar VLF...

Snyrtilægir lampar úr hvítlökkuðu Alusink meðhöndluðu stáli sem gefur vörn gegn tæringu, með gafla úr hvítu ASA plasti.

Ballestar frá Osram / Osram Quicktronic intelligent QTi Dali.

Á þá er hægt að nota skerma og grill úr Ridi Linea kerfinu

OSRAM QUICKTRONIC INTELLIGENT QT DALI

Spenna: 230V/50Hz  
 Flokkun IP 20  
 Eða VDE 0711/0875

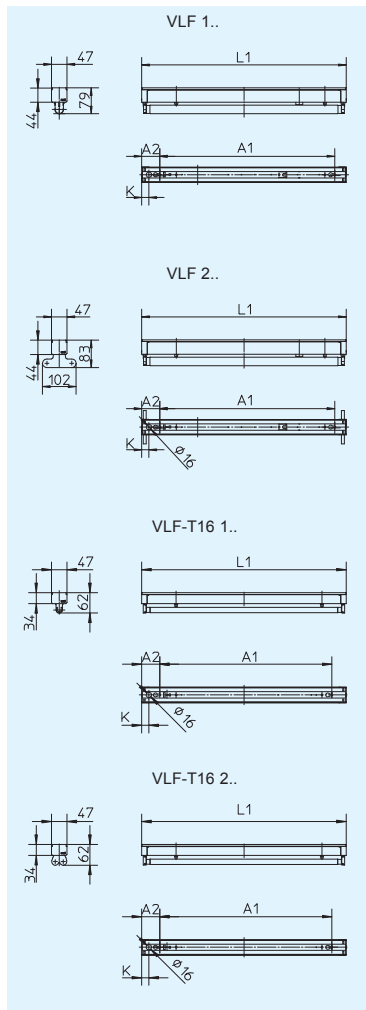
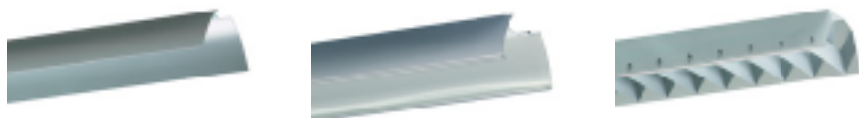


VLF

VLF-T16



Aukahlutir fyrir VLF



Type	Lamps	Maße[mm]				Ískrafts númer	elektronisches VG Art.Nr	dimmbares VG (DALI) Art.Nr
		L1	A1	A2	K			
VLF-T16 114	1xT16 14 W	578	480	55	22	6153441	0526032	
VLF-T16 121	1xT16 21 W	878	600	162	22/47	6153443	0526034	
VLF-T16 128	1xT16 28 W	1178	750	240	22/47	6153445	0526036	
VLF-T16 128/54 DALI/TOUCH DIM	1xT16 28/54 W	1178	750	240	22/47	6153446		0536043
VLF-T16 135	1xT16 35 W	1478	1050	240	22/47	6153447	0526038	
VLF-T16 135/49/80 DALI/TOUCH DIM	1xT16 35/49/80 W	1478	1050	240	22/47	6153448		0536044
VLF-T16 121/39 DALI/TOUCH DIM	1xT16 21/39 W	878	600	162	22/47	6153444		0536042
VLF-T16 114/24 DALI/TOUCH DIM	1xT16 14/24 W	578	480	55	22	6153442		0536041

Sérpantað

VLF-T16 124	1xT16 24 W	578	480	55	22		0526033	
VLF-T16 139	1xT16 39 W	878	600	162	22/47		0526035	
VLF-T16 149	1xT16 49 W	1478	1050	240	22/47		0526039	
VLF-T16 154	1xT16 54 W	1178	750	240	22/47		0526037	
VLF-T16 180	1xT16 80 W	1478	1050	240	22/47		0526040	
VLF-T16 214	2xT16 14 W	578	480	55	22		0526045	
VLF-T16 221	2xT16 21 W	878	600	162	22/47		0526047	
VLF-T16 221/39	2xT16 21/39 W	878	600	162	22/47		0526055	
VLF-T16 224	2xT16 24 W	578	480	55	22		0526046	
VLF-T16 228	2xT16 28 W	1178	750	240	22/47		0526049	
VLF-T16 228/54	2xT16 28/54 W	1178	750	240	22/47		0526056	0536056
VLF-T16 235	2xT16 35 W	1478	1050	240	22/47		0526051	
VLF-T16 235/49	2xT16 35/49 W	1478	1050	240	22/47		0526057	0536057
VLF-T16 239	2xT16 39 W	878	600	162	22/47		0526048	
VLF-T16 249	2xT16 49 W	1478	1050	240	22/47		0526052	
VLF-T16 254	2xT16 54 W	1178	750	240	22/47		0526050	
VLF118	1xT26 18 W	619	530	55	22	1515945	1525945	
VLF130	1xT26 30 W	924	600	227	22/47	1515951	1525951	
VLF136	1xT26 36 W	1229	750	240	22/47	1515946	1525946	1535946
VLF136-1	1xT26 36-1 W	999	600	240	22/47	1515952	1525952	
VLF158	1xT26 58 W	1529	1050	240	22/47	1515947	1525947	1535947
VLF218	2xT26 18 W	619	530	55	22	1515948	1525948	
VLF230	2xT26 30 W	924	600	227	22/47	1515953	1525953	
VLF236	2xT26 36 W	1229	750	240	22/47	1515949	1525949	1535949
VLF236-1	2xT26 36-1 W	999	600	240	22/47		0525996	
VLF258	2xT26 58 W	1529	1050	240	22/47	1515950	1525950	1535950

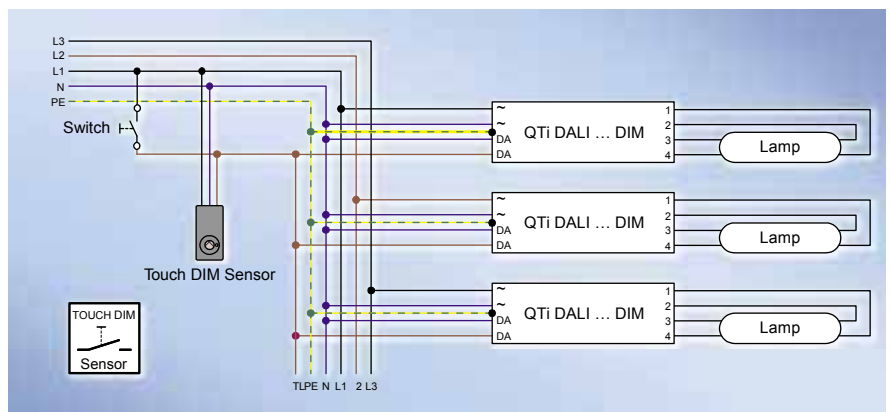


OSRAM ballestar / upplýsingar

**Optimised for colour games – QUICKTRONIC® INTELLIGENT QT<sup>i</sup> DALI DIM**



Coloured light applications are in. Special features have been integrated in dimmable QUICKTRONIC® INTELLIGENT units with the DALI interface for such applications.



The lamp can be started instantly at any time as it is now possible for the first time to have permanent activation of filament preheating while the lamp is switched off. QUICKTRONIC® INTELLIGENT QT<sup>i</sup> DALI DIM is also optimised for rapid changes in light, for example in high-frequency flashing sequences.



Touch DIM Sensor- brilliantly simple lighting control.

**Special highlights of QUICKTRONIC® INTELLIGENT dimmable with DALI interface:**

-  Dimming range: 1...100%, starting at any dimmer setting possible
-  Touch DIM 2nd generation
-  Touch DIM Sensor – simple lighting control without any controller

-  Immediate start of the lamp thanks to permanent activation of filament preheating while the lamp is switched off
-  Very fast response to dimming operations for coloured light effects with no adverse effect on lamp life



### **ÍSKRAFT Kópavogi**

Smiðjuvegur 5, 200 Kópavogi  
Sími: 535 1200, Fax: 535 1201  
Netfang: [iskraft@iskraft.is](mailto:iskraft@iskraft.is)  
Opið: Mán-Fös 8-17

### **ÍSKRAFT Akureyri**

Hjalteyrar gata 4, 600 Akureyri  
Sími: 455 1200, Fax: 455 1201  
Netfang: [pallj@iskraft.is](mailto:pallj@iskraft.is)  
Opið: Mán-Fös 8-18



### **ÍSKRAFT Egilsstöðum**

Sólvangur 7, 700 Egilsstaðir  
Sími: 470 3120, Fax: 470 3121  
Netfang: [brth@iskraft.is](mailto:brth@iskraft.is)  
Opið: Mán-Fös 8-17

### **ÍSKRAFT Reykjanesbæ**

Fitjum 2, 260 Reykjanesbæ  
Sími: 421 6526, Fax: 421 6528  
Netfang: [gustav@iskraft.is](mailto:gustav@iskraft.is)  
Opið: Mán-Fös 8-17



### **ÍSKRAFT Selfossi**

Eyrarvegi 32, 800 Selfoss  
Sími: 463 5200, Fax: 463 5201  
Netfang: [iskraft@iskraft.is](mailto:iskraft@iskraft.is)  
Opið: Mán-Fös 8-16

# ÍSKRAFT

**AKUREYRI - EGILSSTAÐIR - KÓPAVOGUR - REYKJANESBÆR - SELFOSS**